

High Feed Milling Solutions



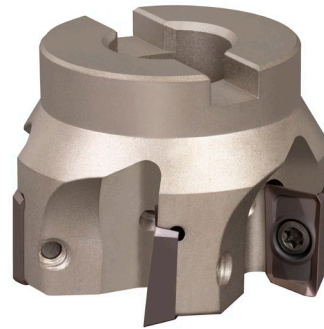
Application Information

- High-quality hardened alloy tool steel cutter bodies
- Machined in pre-hardened state for accuracy and low runout
- Diameter range 1.250" – 5.000"
- Thick, strong inserts with 4 cutting edges for max economy
- 2 geometries, 5 grades for a broad range of applications

Availability

- In the Catalog
- Cutters and Inserts - In Stock USA

Square Shoulder Milling Solutions



Application Information

- High-quality hardened alloy tool steel cutter bodies
- Machined in pre-hardened state for accuracy and low runout
- Diameter range 0.625" – 4.000"
- 2 sizes single-sided APMT inserts, with 2 cutting edges
- 4 geometries, 7 grades for a broad range of applications
- Inserts fit Mitsubishi® BAP300, BAP400 series cutters
- Inserts also fit Korloy®, ZCC® and other supplier cutters

Availability

- Cutters and Inserts - In Stock USA

Square Shoulder Milling Inserts

R390-11T3



Application Information

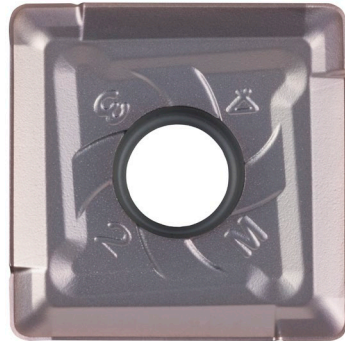
- Single-sided, high-positive square shoulder milling inserts
- 2 helical cutting edges
- Fits all Sandvik® CoroMill® RA390 and R390 series milling cutters using insert size 11
- Interchangeable with Sandvik® R390-11T3 inserts

Availability

- In Stock USA

Square Shoulder Milling Inserts

SDKT 14T3



Application Information

- Single-sided, high-positive shoulder milling inserts
- 4 cutting edges
- Fits Sandvik® CoroMill® 490 series milling cutters
- Interchangeable with Sandvik® 490R-1404 inserts

Availability

- Overseas Stock

Square Shoulder Milling Inserts

LNMT 1506



Application Information

- Butterfly-shaped, tangentially mounted milling inserts
- 4 cutting edges
- Fits Iscar® F90LN series milling cutters
- Interchangeable with Iscar® LNKX / LNMT 1506 inserts

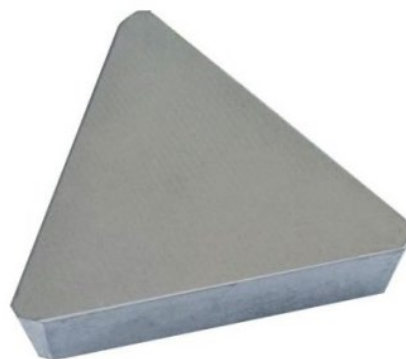
Availability

- Overseas Stock

Square Shoulder Milling Inserts

TPKN 32

TPKN 43



Application Information

- Industry Standard ISO milling inserts
- Available in universal PVD-coated GA4230 grade
- Available in uncoated grades GA0115 and GK0115

Availability

- Overseas Stock

Face Milling Inserts

SEET 13T3

Application Information

- Single-sided, high-positive 45° face milling inserts
- 4 cutting edges
- Fits Sandvik® CoroMill® 245 cutters / R245-12T3 inserts
- Fits Mitsubishi® ASX445 cutters / SExT-13T3 inserts
- Fits Sumitomo® WGX Series cutters / SExT-13T3 inserts
- Fits ZCC® FMA01/02 Series cutters / SEET-12T3 inserts

Availability

- In the Catalog
- In Stock USA

Face Milling Inserts

SNEU 1206

SNMU 1206



Application Information

- Double-sided 45° face milling inserts
- 8 cutting edges
- Fits Walter® F4033 cutters / SNxX 1205 inserts
- Fits Korloy® RM8 cutters / SNxX 1206 inserts

Availability

- Overseas Stock

Face Milling Inserts

HNEX 0905



Application Information

- Double-sided, 60° face milling of cast iron
- 12 cutting edges
- Fits Kennametal® HexaCut series milling cutters
- Interchangeable with HNxx inserts without hole

Availability

- Mixed Stock USA and Overseas

Face Milling Inserts

SEEN 42, 43

SEEN 53



Application Information

- Industry Standard ISO face milling inserts
- Available in multiple coated grades
- Available in uncoated grade GK0115

Availability

- Mixed Stock USA and Overseas

Face Milling Inserts

SPKN 42

SPKN 53



Application Information

- Industry Standard ISO face milling inserts
- Available in universal PVD-coated GA4230 grade
- Available in uncoated grades GA0115 and GK0115

Availability

- Overseas Stock

Face Milling Inserts

SBEX 1204



Application Information

- Fits Sandvik® AUTO-FS Finishing milling cutters
- SBEX 1204ZZ style inserts
- Available in PVD coated grade GK4125
- Available in uncoated grade GA0115

Availability

- Overseas Stock

Profile Milling Inserts

RDET, RDEW
RDMT, RDMW



Application Information

- Single-sided round milling inserts
- 15° clearance
- Sizes 5mm, 7mm, 8mm, 10mm, 12mm and 16mm
- Fit Walter[®], Dijet[®], ZCC[®] and other supplier cutters

Availability

- Sizes 12, 16 – In the Catalog, In Stock USA
- Sizes 5, 7, 8, 10 – Overseas Stock

Profile Milling Inserts

**RPET, RPEW
RPMT, RPMW**



Application Information

- Single-sided round milling inserts
- 11° clearance
- Sizes 8mm, 10mm, 12mm and 16mm
- Fits Dijet[®], Mitsubishi[®] and other supplier cutters

Availability

- Size 12 – In the Catalog, In Stock USA
- Sizes 8, 10, 16 - Overseas Stock

Profile Milling Inserts

RCET



Application Information

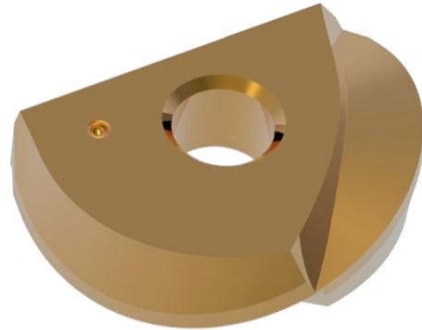
- Single-sided round milling inserts
- Fits Sandvik® CoroMill® 200 milling cutters (metric)
- Interchangeable with Sandvik® RCHT / RCKT inserts
- Metric insert sizes – 10mm, 12mm, 16mm and 20mm

Availability

- Overseas Stock

Profile Milling Inserts

QTD



Application Information

- Finishing ballnose endmill inserts
- Fits Dijet® BNM milling cutters
- Fits Sandvik® R216F series milling cutters
- Metric sizes Ø12mm – Ø32mm

Availability

- Overseas Stock

Chamfer Milling Inserts

SPMT



Application Information

- SPMT 09T3 and 1204 size inserts
- Fits Walter® SPMT 09, 12 series cutters
- Fits Sandvik®, Kennametal®, Mitsubishi®, Widia®, ZCC® and other supplier SPMT '12' series cutters

Availability

- Mixed Stock USA and Overseas