

Includes
NEW
Cutoff wheels
See Page 2!



Flute-Tech

Diamond Superabrasive Wheels

Stock and Price List

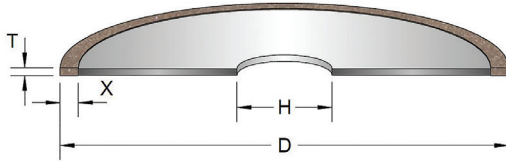
Ultra-High Performance Hybrid Bond Construction

Reduced Grinding Costs

In Stock for Immediate Delivery

TechMet

1A1R



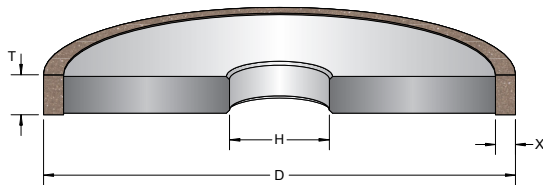
Cutoff Wheels

Shape	Spec	D (in)	T (in)	X (in)	H (in)	Package Qty	Part No.	Price
1A1R	D120 C100	6"	0.035"	1/4"	1 1/4"	1 Piece	801014	\$90
1A1R	D120 C100	6"	0.035"	1/4"	1 1/4"	5 Pieces	801015	\$385
1A1R	D120 C100	8"	0.045"	1/4"	1 1/4"	1 Piece	801016	\$110
1A1R	D120 C100	8"	0.045"	1/4"	1 1/4"	5 Pieces	801017	\$480
1A1R	D120 C100	8"	0.040"	1/4"	3/4"	1 Piece	801202	\$110
1A1R	D120 C100	8"	0.040"	1/4"	3/4"	5 Pieces	801207	\$480



STOCK ITEM

1A1



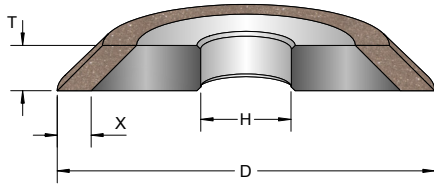
Fluting Wheels

Recommended Baseline Wheel Speed For Fluting Wheels (1A1)
16 - 18 m/s or 3150 - 3540 SFM

Shape	Spec	D (in)	D (mm)	T (in)	T (mm)	X (in)	X (mm)	H (in)	H (mm)	Part No.	Price
1A1	D240 C100	4"	100	1/4"	6	1/4"	6	1 1/4"	31.75	801000	\$356
1A1	D240 C100	4"	100	3/8"	10	3/8"	10	1 1/4"	31.75	801001	\$427
1A1	D240 C100	4"	100	1/2"	12	3/8"	10	1 1/4"	31.75	801002	\$454
1A1	D240 C100	4"	100	5/8"	15	3/8"	10	1 1/4"	31.75	801003	\$541
1A1	D240 C100	5"	125	1/4"	6	1/4"	6	1 1/4"	31.75	801004	\$392
1A1	D240 C100	5"	125	3/8"	10	3/8"	10	1 1/4"	31.75	801005	\$451
1A1	D240 C100	5"	125	1/2"	12	3/8"	10	1 1/4"	31.75	801006	\$581
1A1	D240 C100	5"	125	5/8"	15	3/8"	10	1 1/4"	31.75	801007	\$605
1A1	D240 C100	6"	150	1/4"	6	1/4"	6	1 1/4"	31.75	801008	\$425
1A1	D240 C100	6"	150	3/8"	10	3/8"	10	1 1/4"	31.75	801009	\$565
1A1	D240 C100	6"	150	1/2"	12	3/8"	10	1 1/4"	31.75	801010	\$588
1A1	D240 C100	6"	150	5/8"	15	3/8"	10	1 1/4"	31.75	801011	\$831

STOCK ITEM

1V1



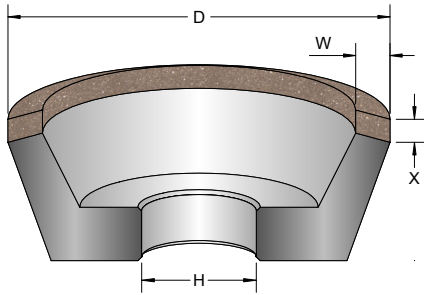
Gashing Wheels

Recommended Baseline Wheel Speed For Gashing Wheels (1V1)
20 - 30 m/s or 3900 - 5900 SFM

Shape	Spec	D (in)	D (mm)	T (in)	T (mm)	X (in)	X (mm)	H (in)	H (mm)	Part No.	Price
1V1	Angle 20 D240 C100	4"	100	1/4"	6	1/4"	6	1 1/4"	31.75	801100	\$365
1V1	Angle 20 D240 C100	4"	100	3/8"	10	3/8"	10	1 1/4"	31.75	801103	\$435
1V1	Angle 20 D240 C100	4"	100	1/2"	12	3/8"	10	1 1/4"	31.75	801106	\$472
1V1	Angle 20 D240 C100	4"	100	5/8"	15	3/8"	10	1 1/4"	31.75	801109	\$563
1V1	Angle 30 D240 C100	4"	100	1/4"	6	1/4"	6	1 1/4"	31.75	801101	\$365
1V1	Angle 30 D240 C100	4"	100	3/8"	10	3/8"	10	1 1/4"	31.75	801104	\$435
1V1	Angle 30 D240 C100	4"	100	1/2"	12	3/8"	10	1 1/4"	31.75	801107	\$472
1V1	Angle 30 D240 C100	4"	100	5/8"	15	3/8"	10	1 1/4"	31.75	801110	\$563
1V1	Angle 45 D240 C100	4"	100	1/4"	6	1/4"	6	1 1/4"	31.75	801102	\$365
1V1	Angle 45 D240 C100	4"	100	3/8"	10	3/8"	10	1 1/4"	31.75	801105	\$435
1V1	Angle 45 D240 C100	4"	100	1/2"	12	3/8"	10	1 1/4"	31.75	801108	\$472
1V1	Angle 45 D240 C100	4"	100	5/8"	15	3/8"	10	1 1/4"	31.75	801111	\$563
1V1	Angle 20 D240 C100	5"	125	1/4"	6	1/4"	6	1 1/4"	31.75	801112	\$398
1V1	Angle 20 D240 C100	5"	125	3/8"	10	3/8"	10	1 1/4"	31.75	801115	\$463
1V1	Angle 20 D240 C100	5"	125	1/2"	12	3/8"	10	1 1/4"	31.75	801118	\$589
1V1	Angle 20 D240 C100	5"	125	5/8"	15	3/8"	10	1 1/4"	31.75	801121	\$719
1V1	Angle 30 D240 C100	5"	125	1/4"	6	1/4"	6	1 1/4"	31.75	801113	\$398
1V1	Angle 30 D240 C100	5"	125	3/8"	10	3/8"	10	1 1/4"	31.75	801116	\$463
1V1	Angle 30 D240 C100	5"	125	1/2"	12	3/8"	10	1 1/4"	31.75	801119	\$589
1V1	Angle 30 D240 C100	5"	125	5/8"	15	3/8"	10	1 1/4"	31.75	801122	\$719
1V1	Angle 45 D240 C100	5"	125	1/4"	6	1/4"	6	1 1/4"	31.75	801114	\$398
1V1	Angle 45 D240 C100	5"	125	3/8"	10	3/8"	10	1 1/4"	31.75	801117	\$463
1V1	Angle 45 D240 C100	5"	125	1/2"	12	3/8"	10	1 1/4"	31.75	801120	\$589
1V1	Angle 45 D240 C100	5"	125	5/8"	15	3/8"	10	1 1/4"	31.75	801123	\$719
1V1	Angle 20 D240 C100	6"	150	1/4"	6	1/4"	6	1 1/4"	31.75	801124	\$426
1V1	Angle 20 D240 C100	6"	150	3/8"	10	3/8"	10	1 1/4"	31.75	801127	\$565
1V1	Angle 20 D240 C100	6"	150	1/2"	12	3/8"	10	1 1/4"	31.75	801130	\$585
1V1	Angle 20 D240 C100	6"	150	5/8"	15	3/8"	10	1 1/4"	31.75	801133	\$832
1V1	Angle 30 D240 C100	6"	150	1/4"	6	1/4"	6	1 1/4"	31.75	801125	\$426
1V1	Angle 30 D240 C100	6"	150	3/8"	10	3/8"	10	1 1/4"	31.75	801128	\$565
1V1	Angle 30 D240 C100	6"	150	1/2"	12	3/8"	10	1 1/4"	31.75	801131	\$585
1V1	Angle 30 D240 C100	6"	150	5/8"	15	3/8"	10	1 1/4"	31.75	801134	\$832
1V1	Angle 45 D240 C100	6"	150	1/4"	6	1/4"	6	1 1/4"	31.75	801126	\$426
1V1	Angle 45 D240 C100	6"	150	3/8"	10	3/8"	10	1 1/4"	31.75	801129	\$565
1V1	Angle 45 D240 C100	6"	150	1/2"	12	3/8"	10	1 1/4"	31.75	801132	\$585
1V1	Angle 45 D240 C100	6"	150	5/8"	15	3/8"	10	1 1/4"	31.75	801135	\$832

STOCK ITEM

11V5



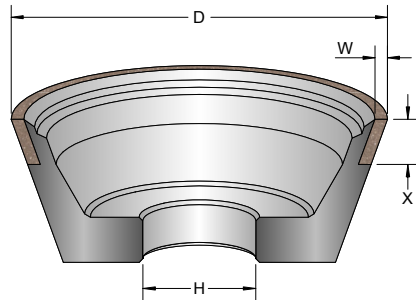
OD & End Wheels

Recommended Baseline Wheel Speed For OD and End Wheels (11V5)
25 - 35 m/s or 4900 - 6900 SFM

Shape	Spec	D (in)	D (mm)	X (in)	X (mm)	W (in)	W (mm)	H (in)	H (mm)	Part No.	Price
11V5	Angle 20 D320 C125	4"	100	3/8"	10	1/4"	6	1 1/4"	31.75	801201	\$397
11V5	Angle 30 D320 C125	4"	100	3/8"	10	1/4"	6	1 1/4"	31.75	801029	\$397

STOCK ITEM

11V9



OD & End Wheels

Recommended Baseline Wheel Speed For OD and End Wheels (11V9)
25 - 35 m/s or 4900 - 6900 SFM

Shape	Spec	D (in)	D (mm)	X (in)	X (mm)	W (in)	W (mm)	H (in)	H (mm)	Part No.	Price
11V9	D320 C125	3 3/4"	100	3/8"	10	1/8"	3	1 1/4"	31.75	801136	\$235
11V9	D320 C125	5"	125	3/8"	10	1/8"	3	1 1/4"	31.75	801137	\$305

STOCK ITEM

TechMet

730 21st Street Drive SE
Hickory, NC 28602