



# *Flute-Tech*

*Diamond Superabrasive Wheels*

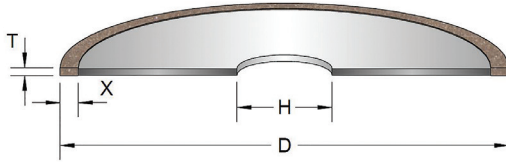
Ultra-High Performance Hybrid Bond Construction

Reduced Grinding Costs

**IN STOCK** for Immediate Delivery!

***TechMet***

# 1A1R

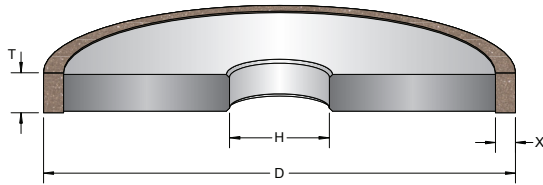


# Cutoff Wheels

| Shape | D (in) | T (in) | X (in) | H (in) | Spec      | Package Qty | Part No. | Availability |
|-------|--------|--------|--------|--------|-----------|-------------|----------|--------------|
| 1A1R  | 6"     | 0.035" | 1/4"   | 1 1/4" | D120 C100 | 1 Piece     | 801014   | STOCK ITEM   |
| 1A1R  | 6"     | 0.035" | 1/4"   | 1 1/4" | D120 C100 | 5 Pieces    | 801015   | STOCK ITEM   |
| 1A1R  | 8"     | 0.045" | 1/4"   | 1 1/4" | D120 C100 | 1 Piece     | 801016   | STOCK ITEM   |
| 1A1R  | 8"     | 0.045" | 1/4"   | 1 1/4" | D120 C100 | 5 Pieces    | 801017   | STOCK ITEM   |
| 1A1R  | 8"     | 0.040" | 1/4"   | 3/4"   | D120 C100 | 1 Piece     | 801202   | STOCK ITEM   |
| 1A1R  | 8"     | 0.040" | 1/4"   | 3/4"   | D120 C100 | 5 Pieces    | 801207   | STOCK ITEM   |

**STOCK ITEM**

# 1A1



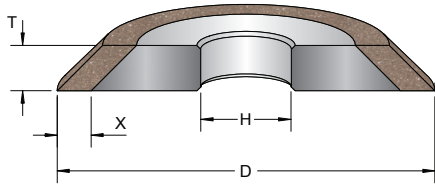
# Fluting Wheels

Recommended Baseline Wheel Speed For Fluting Wheels (1A1)  
16 - 18 m/s or 3150 - 3540 SFM

| Shape | D (in) | D (mm) | T (in) | T (mm) | X (in) | X (mm) | H (in) | H (mm) | Spec      | Part No. | Availability |
|-------|--------|--------|--------|--------|--------|--------|--------|--------|-----------|----------|--------------|
| 1A1   | 4"     | 100    | 1/4"   | 6      | 1/4"   | 6      | 1 1/4" | 31.75  | D240 C100 | 801000   | STOCK ITEM   |
| 1A1   | 4"     | 100    | 3/8"   | 10     | 3/8"   | 10     | 1 1/4" | 31.75  | D240 C100 | 801001   | STOCK ITEM   |
| 1A1   | 4"     | 100    | 1/2"   | 12     | 3/8"   | 10     | 1 1/4" | 31.75  | D240 C100 | 801002   | STOCK ITEM   |
| 1A1   | 4"     | 100    | 5/8"   | 15     | 3/8"   | 10     | 1 1/4" | 31.75  | D240 C100 | 801003   | STOCK ITEM   |
| 1A1   | 5"     | 125    | 1/4"   | 6      | 1/4"   | 6      | 1 1/4" | 31.75  | D240 C100 | 801004   | STOCK ITEM   |
| 1A1   | 5"     | 125    | 3/8"   | 10     | 3/8"   | 10     | 1 1/4" | 31.75  | D240 C100 | 801005   | STOCK ITEM   |
| 1A1   | 5"     | 125    | 1/2"   | 12     | 3/8"   | 10     | 1 1/4" | 31.75  | D240 C100 | 801006   | STOCK ITEM   |
| 1A1   | 5"     | 125    | 5/8"   | 15     | 3/8"   | 10     | 1 1/4" | 31.75  | D240 C100 | 801007   | STOCK ITEM   |
| 1A1   | 6"     | 150    | 1/4"   | 6      | 1/4"   | 6      | 1 1/4" | 31.75  | D240 C100 | 801008   | STOCK ITEM   |
| 1A1   | 6"     | 150    | 3/8"   | 10     | 3/8"   | 10     | 1 1/4" | 31.75  | D240 C100 | 801009   | STOCK ITEM   |
| 1A1   | 6"     | 150    | 1/2"   | 12     | 3/8"   | 10     | 1 1/4" | 31.75  | D240 C100 | 801010   | STOCK ITEM   |
| 1A1   | 6"     | 150    | 5/8"   | 15     | 3/8"   | 10     | 1 1/4" | 31.75  | D240 C100 | 801011   | STOCK ITEM   |

**STOCK ITEM**

**1V1**



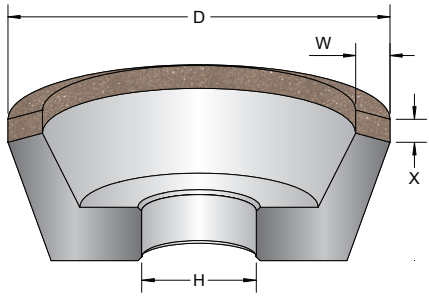
# Gashing Wheels

Recommended Baseline Wheel Speed For Gashing Wheels (1V1)  
20 - 30 m/s or 3900 - 5900 SFM

| Shape | D (in) | D (mm) | Angle | T (in) | T (mm) | X (in) | X (mm) | H (in) | H (mm) | Spec      | Part No. | Availability |
|-------|--------|--------|-------|--------|--------|--------|--------|--------|--------|-----------|----------|--------------|
| 1V1   | 4"     | 100    | 20°   | 1/4"   | 6      | 1/4"   | 6      | 1 1/4" | 31.75  | D240 C100 | 801100   | STOCK ITEM   |
| 1V1   | 4"     | 100    | 20°   | 3/8"   | 10     | 3/8"   | 10     | 1 1/4" | 31.75  | D240 C100 | 801103   | STOCK ITEM   |
| 1V1   | 4"     | 100    | 20°   | 1/2"   | 12     | 3/8"   | 10     | 1 1/4" | 31.75  | D240 C100 | 801106   | STOCK ITEM   |
| 1V1   | 4"     | 100    | 20°   | 5/8"   | 15     | 3/8"   | 10     | 1 1/4" | 31.75  | D240 C100 | 801109   | STOCK ITEM   |
| 1V1   | 4"     | 100    | 30°   | 1/4"   | 6      | 1/4"   | 6      | 1 1/4" | 31.75  | D240 C100 | 801101   | STOCK ITEM   |
| 1V1   | 4"     | 100    | 30°   | 3/8"   | 10     | 3/8"   | 10     | 1 1/4" | 31.75  | D240 C100 | 801104   | STOCK ITEM   |
| 1V1   | 4"     | 100    | 30°   | 1/2"   | 12     | 3/8"   | 10     | 1 1/4" | 31.75  | D240 C100 | 801107   | STOCK ITEM   |
| 1V1   | 4"     | 100    | 30°   | 5/8"   | 15     | 3/8"   | 10     | 1 1/4" | 31.75  | D240 C100 | 801110   | STOCK ITEM   |
| 1V1   | 4"     | 100    | 45°   | 1/4"   | 6      | 1/4"   | 6      | 1 1/4" | 31.75  | D240 C100 | 801102   | STOCK ITEM   |
| 1V1   | 4"     | 100    | 45°   | 3/8"   | 10     | 3/8"   | 10     | 1 1/4" | 31.75  | D240 C100 | 801105   | STOCK ITEM   |
| 1V1   | 4"     | 100    | 45°   | 1/2"   | 12     | 3/8"   | 10     | 1 1/4" | 31.75  | D240 C100 | 801108   | STOCK ITEM   |
| 1V1   | 4"     | 100    | 45°   | 5/8"   | 15     | 3/8"   | 10     | 1 1/4" | 31.75  | D240 C100 | 801111   | STOCK ITEM   |
| 1V1   | 5"     | 125    | 20°   | 1/4"   | 6      | 1/4"   | 6      | 1 1/4" | 31.75  | D240 C100 | 801112   | STOCK ITEM   |
| 1V1   | 5"     | 125    | 20°   | 3/8"   | 10     | 3/8"   | 10     | 1 1/4" | 31.75  | D240 C100 | 801115   | STOCK ITEM   |
| 1V1   | 5"     | 125    | 20°   | 1/2"   | 12     | 3/8"   | 10     | 1 1/4" | 31.75  | D240 C100 | 801118   | STOCK ITEM   |
| 1V1   | 5"     | 125    | 20°   | 5/8"   | 15     | 3/8"   | 10     | 1 1/4" | 31.75  | D240 C100 | 801121   | STOCK ITEM   |
| 1V1   | 5"     | 125    | 30°   | 1/4"   | 6      | 1/4"   | 6      | 1 1/4" | 31.75  | D240 C100 | 801113   | STOCK ITEM   |
| 1V1   | 5"     | 125    | 30°   | 3/8"   | 10     | 3/8"   | 10     | 1 1/4" | 31.75  | D240 C100 | 801116   | STOCK ITEM   |
| 1V1   | 5"     | 125    | 30°   | 1/2"   | 12     | 3/8"   | 10     | 1 1/4" | 31.75  | D240 C100 | 801119   | STOCK ITEM   |
| 1V1   | 5"     | 125    | 30°   | 5/8"   | 15     | 3/8"   | 10     | 1 1/4" | 31.75  | D240 C100 | 801122   | STOCK ITEM   |
| 1V1   | 5"     | 125    | 45°   | 1/4"   | 6      | 1/4"   | 6      | 1 1/4" | 31.75  | D240 C100 | 801114   | STOCK ITEM   |
| 1V1   | 5"     | 125    | 45°   | 3/8"   | 10     | 3/8"   | 10     | 1 1/4" | 31.75  | D240 C100 | 801117   | STOCK ITEM   |
| 1V1   | 5"     | 125    | 45°   | 1/2"   | 12     | 3/8"   | 10     | 1 1/4" | 31.75  | D240 C100 | 801120   | STOCK ITEM   |
| 1V1   | 5"     | 125    | 45°   | 5/8"   | 15     | 3/8"   | 10     | 1 1/4" | 31.75  | D240 C100 | 801123   | STOCK ITEM   |
| 1V1   | 6"     | 150    | 20°   | 1/4"   | 6      | 1/4"   | 6      | 1 1/4" | 31.75  | D240 C100 | 801124   | STOCK ITEM   |
| 1V1   | 6"     | 150    | 20°   | 3/8"   | 10     | 3/8"   | 10     | 1 1/4" | 31.75  | D240 C100 | 801127   | STOCK ITEM   |
| 1V1   | 6"     | 150    | 20°   | 1/2"   | 12     | 3/8"   | 10     | 1 1/4" | 31.75  | D240 C100 | 801130   | STOCK ITEM   |
| 1V1   | 6"     | 150    | 20°   | 5/8"   | 15     | 3/8"   | 10     | 1 1/4" | 31.75  | D240 C100 | 801133   | STOCK ITEM   |
| 1V1   | 6"     | 150    | 30°   | 1/4"   | 6      | 1/4"   | 6      | 1 1/4" | 31.75  | D240 C100 | 801125   | STOCK ITEM   |
| 1V1   | 6"     | 150    | 30°   | 3/8"   | 10     | 3/8"   | 10     | 1 1/4" | 31.75  | D240 C100 | 801128   | STOCK ITEM   |
| 1V1   | 6"     | 150    | 30°   | 1/2"   | 12     | 3/8"   | 10     | 1 1/4" | 31.75  | D240 C100 | 801131   | STOCK ITEM   |
| 1V1   | 6"     | 150    | 30°   | 5/8"   | 15     | 3/8"   | 10     | 1 1/4" | 31.75  | D240 C100 | 801134   | STOCK ITEM   |
| 1V1   | 6"     | 150    | 45°   | 1/4"   | 6      | 1/4"   | 6      | 1 1/4" | 31.75  | D240 C100 | 801126   | STOCK ITEM   |
| 1V1   | 6"     | 150    | 45°   | 3/8"   | 10     | 3/8"   | 10     | 1 1/4" | 31.75  | D240 C100 | 801129   | STOCK ITEM   |
| 1V1   | 6"     | 150    | 45°   | 1/2"   | 12     | 3/8"   | 10     | 1 1/4" | 31.75  | D240 C100 | 801132   | STOCK ITEM   |
| 1V1   | 6"     | 150    | 45°   | 5/8"   | 15     | 3/8"   | 10     | 1 1/4" | 31.75  | D240 C100 | 801135   | STOCK ITEM   |

**STOCK ITEM**

**11V5**



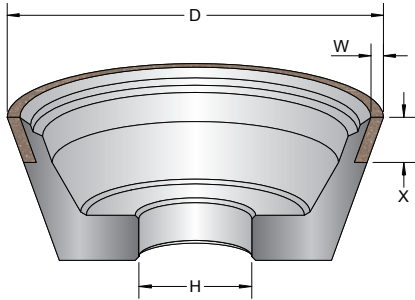
**OD & End Wheels**

Recommended Baseline Wheel Speed For OD and End Wheels (11V5)  
25 - 35 m/s or 4900 - 6900 SFM

| Shape | D (in) | D (mm) | Angle | X (in) | X (mm) | W (in) | W (mm) | H (in) | H (mm) | Spec      | Part No. | Availability |
|-------|--------|--------|-------|--------|--------|--------|--------|--------|--------|-----------|----------|--------------|
| 11V5  | 4"     | 100    | 20°   | 3/8"   | 10     | 1/4"   | 6      | 1 1/4" | 31.75  | D320 C125 | 801201   | STOCK ITEM   |
| 11V5  | 4"     | 100    | 30°   | 3/8"   | 10     | 1/4"   | 6      | 1 1/4" | 31.75  | D320 C125 | 801029   | STOCK ITEM   |

**STOCK ITEM**

**11V9**



**OD & End Wheels**

Recommended Baseline Wheel Speed For OD and End Wheels (11V9)  
25 - 35 m/s or 4900 - 6900 SFM

| Shape | D (in) | D (mm) | X (in) | X (mm) | W (in) | W (mm) | H (in) | H (mm) | Spec      | Part No. | Availability |
|-------|--------|--------|--------|--------|--------|--------|--------|--------|-----------|----------|--------------|
| 11V9  | 3 3/4" | 100    | 3/8"   | 10     | 1/8"   | 3      | 1 1/4" | 31.75  | D320 C125 | 801136   | STOCK ITEM   |
| 11V9  | 5"     | 125    | 3/8"   | 10     | 1/8"   | 3      | 1 1/4" | 31.75  | D320 C125 | 801137   | STOCK ITEM   |

**STOCK ITEM**



North America's #1 Supplier  
of Precision Tool Blanks

Call 877 872 0044 Visit [www.techmet-carbide.com](http://www.techmet-carbide.com)