



# *Flute-Tech*

*Diamond Superabrasive Wheels*

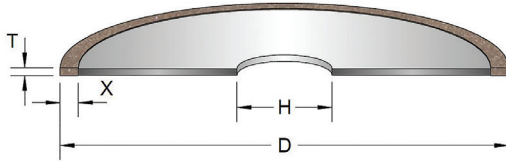
Ultra-High Performance Hybrid Bond Construction

Reduced Grinding Costs

**IN STOCK** for Immediate Delivery!

***TechMet***

# 1A1R

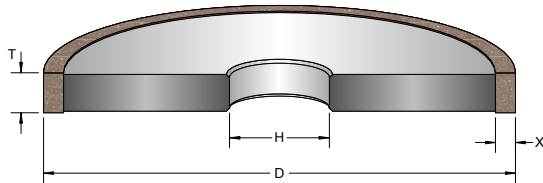


# Cutoff Wheels

Shape	D (in)	T (in)	X (in)	H (in)	Spec	Package Qty	Part No.	Price
1A1R	6"	0.035"	1/4"	1 1/4"	D120 C100	1 Piece	801014	\$96
1A1R	6"	0.035"	1/4"	1 1/4"	D120 C100	5 Pieces	801015	\$412
1A1R	8"	0.045"	1/4"	1 1/4"	D120 C100	1 Piece	801016	\$118
1A1R	8"	0.045"	1/4"	1 1/4"	D120 C100	5 Pieces	801017	\$514
1A1R	8"	0.040"	1/4"	3/4"	D120 C100	1 Piece	801202	\$118
1A1R	8"	0.040"	1/4"	3/4"	D120 C100	5 Pieces	801207	\$514

**STOCK ITEM**

# 1A1



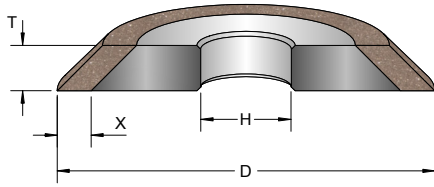
# Fluting Wheels

Recommended Baseline Wheel Speed For Fluting Wheels (1A1)  
16 - 18 m/s or 3150 - 3540 SFM

Shape	D (in)	D (mm)	T (in)	T (mm)	X (in)	X (mm)	H (in)	H (mm)	Spec	Part No.	Price
1A1	4"	100	1/4"	6	1/4"	6	1 1/4"	31.75	D240 C100	801000	\$381
1A1	4"	100	3/8"	10	3/8"	10	1 1/4"	31.75	D240 C100	801001	\$457
1A1	4"	100	1/2"	12	3/8"	10	1 1/4"	31.75	D240 C100	801002	\$486
1A1	4"	100	5/8"	15	3/8"	10	1 1/4"	31.75	D240 C100	801003	\$579
1A1	5"	125	1/4"	6	1/4"	6	1 1/4"	31.75	D240 C100	801004	\$419
1A1	5"	125	3/8"	10	3/8"	10	1 1/4"	31.75	D240 C100	801005	\$483
1A1	5"	125	1/2"	12	3/8"	10	1 1/4"	31.75	D240 C100	801006	\$622
1A1	5"	125	5/8"	15	3/8"	10	1 1/4"	31.75	D240 C100	801007	\$647
1A1	6"	150	1/4"	6	1/4"	6	1 1/4"	31.75	D240 C100	801008	\$455
1A1	6"	150	3/8"	10	3/8"	10	1 1/4"	31.75	D240 C100	801009	\$605
1A1	6"	150	1/2"	12	3/8"	10	1 1/4"	31.75	D240 C100	801010	\$629
1A1	6"	150	5/8"	15	3/8"	10	1 1/4"	31.75	D240 C100	801011	\$889

**STOCK ITEM**

**1V1**



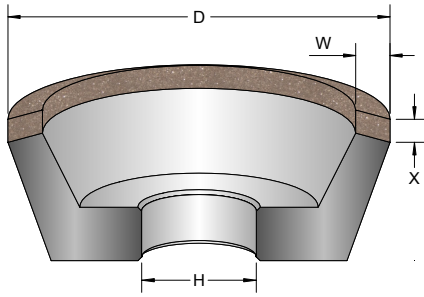
# Gashing Wheels

Recommended Baseline Wheel Speed For Gashing Wheels (1V1)  
20 - 30 m/s or 3900 - 5900 SFM

Shape	D (in)	D (mm)	Angle	T (in)	T (mm)	X (in)	X (mm)	H (in)	H (mm)	Spec	Part No.	Price
1V1	4"	100	20°	1/4"	6	1/4"	6	1 1/4"	31.75	D240 C100	801100	\$391
1V1	4"	100	20°	3/8"	10	3/8"	10	1 1/4"	31.75	D240 C100	801103	\$465
1V1	4"	100	20°	1/2"	12	3/8"	10	1 1/4"	31.75	D240 C100	801106	\$505
1V1	4"	100	20°	5/8"	15	3/8"	10	1 1/4"	31.75	D240 C100	801109	\$602
1V1	4"	100	30°	1/4"	6	1/4"	6	1 1/4"	31.75	D240 C100	801101	\$391
1V1	4"	100	30°	3/8"	10	3/8"	10	1 1/4"	31.75	D240 C100	801104	\$465
1V1	4"	100	30°	1/2"	12	3/8"	10	1 1/4"	31.75	D240 C100	801107	\$505
1V1	4"	100	30°	5/8"	15	3/8"	10	1 1/4"	31.75	D240 C100	801110	\$602
1V1	4"	100	45°	1/4"	6	1/4"	6	1 1/4"	31.75	D240 C100	801102	\$391
1V1	4"	100	45°	3/8"	10	3/8"	10	1 1/4"	31.75	D240 C100	801105	\$465
1V1	4"	100	45°	1/2"	12	3/8"	10	1 1/4"	31.75	D240 C100	801108	\$505
1V1	4"	100	45°	5/8"	15	3/8"	10	1 1/4"	31.75	D240 C100	801111	\$602
1V1	5"	125	20°	1/4"	6	1/4"	6	1 1/4"	31.75	D240 C100	801112	\$426
1V1	5"	125	20°	3/8"	10	3/8"	10	1 1/4"	31.75	D240 C100	801115	\$495
1V1	5"	125	20°	1/2"	12	3/8"	10	1 1/4"	31.75	D240 C100	801118	\$630
1V1	5"	125	20°	5/8"	15	3/8"	10	1 1/4"	31.75	D240 C100	801121	\$769
1V1	5"	125	30°	1/4"	6	1/4"	6	1 1/4"	31.75	D240 C100	801113	\$426
1V1	5"	125	30°	3/8"	10	3/8"	10	1 1/4"	31.75	D240 C100	801116	\$495
1V1	5"	125	30°	1/2"	12	3/8"	10	1 1/4"	31.75	D240 C100	801119	\$630
1V1	5"	125	30°	5/8"	15	3/8"	10	1 1/4"	31.75	D240 C100	801122	\$769
1V1	5"	125	45°	1/4"	6	1/4"	6	1 1/4"	31.75	D240 C100	801114	\$426
1V1	5"	125	45°	3/8"	10	3/8"	10	1 1/4"	31.75	D240 C100	801117	\$495
1V1	5"	125	45°	1/2"	12	3/8"	10	1 1/4"	31.75	D240 C100	801120	\$630
1V1	5"	125	45°	5/8"	15	3/8"	10	1 1/4"	31.75	D240 C100	801123	\$769
1V1	6"	150	20°	1/4"	6	1/4"	6	1 1/4"	31.75	D240 C100	801124	\$456
1V1	6"	150	20°	3/8"	10	3/8"	10	1 1/4"	31.75	D240 C100	801127	\$605
1V1	6"	150	20°	1/2"	12	3/8"	10	1 1/4"	31.75	D240 C100	801130	\$626
1V1	6"	150	20°	5/8"	15	3/8"	10	1 1/4"	31.75	D240 C100	801133	\$890
1V1	6"	150	30°	1/4"	6	1/4"	6	1 1/4"	31.75	D240 C100	801125	\$456
1V1	6"	150	30°	3/8"	10	3/8"	10	1 1/4"	31.75	D240 C100	801128	\$605
1V1	6"	150	30°	1/2"	12	3/8"	10	1 1/4"	31.75	D240 C100	801131	\$626
1V1	6"	150	30°	5/8"	15	3/8"	10	1 1/4"	31.75	D240 C100	801134	\$890
1V1	6"	150	45°	1/4"	6	1/4"	6	1 1/4"	31.75	D240 C100	801126	\$456
1V1	6"	150	45°	3/8"	10	3/8"	10	1 1/4"	31.75	D240 C100	801129	\$605
1V1	6"	150	45°	1/2"	12	3/8"	10	1 1/4"	31.75	D240 C100	801132	\$626
1V1	6"	150	45°	5/8"	15	3/8"	10	1 1/4"	31.75	D240 C100	801135	\$890

STOCK ITEM

**11V5**



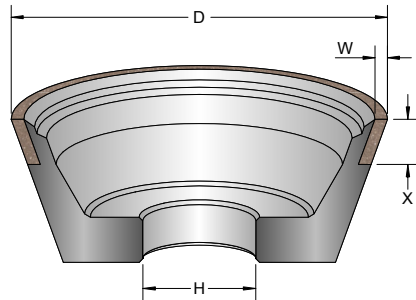
**OD & End Wheels**

Recommended Baseline Wheel Speed For OD and End Wheels (11V5)  
25 - 35 m/s or 4900 - 6900 SFM

Shape	D (in)	D (mm)	Angle	X (in)	X (mm)	W (in)	W (mm)	H (in)	H (mm)	Spec	Part No.	Price
11V5	4"	100	20°	3/8"	10	1/4"	6	1 1/4"	31.75	D320 C125	801201	\$425
11V5	4"	100	30°	3/8"	10	1/4"	6	1 1/4"	31.75	D320 C125	801029	\$425

**STOCK ITEM**

**11V9**



**OD & End Wheels**

Recommended Baseline Wheel Speed For OD and End Wheels (11V9)  
25 - 35 m/s or 4900 - 6900 SFM

Shape	D (in)	D (mm)	X (in)	X (mm)	W (in)	W (mm)	H (in)	H (mm)	Spec	Part No.	Price
11V9	3 3/4"	100	3/8"	10	1/8"	3	1 1/4"	31.75	D320 C125	801136	\$251
11V9	5"	125	3/8"	10	1/8"	3	1 1/4"	31.75	D320 C125	801137	\$326

**STOCK ITEM**



North America's #1 Supplier  
of Precision Tool Blanks

Call 877 872 0044 Visit [www.techmet-carbide.com](http://www.techmet-carbide.com)